

GALANTA™

Hidden Fastener Interlocking Steel Siding



ideal roofing
Company Limited, Manufacturers



U.S. EDITION

Beautiful long-lasting steel cladding will make your home the envy of your neighborhood!

PRE-PAINTED GALVANIZED STEEL
 ASTM-A653 SS GRADE 33, Z275 (G90)
 - PERSPECTRA PLUS™ / WEATHER XL™
 - 10,000 SERIES / KYNAR 500® (PVDF)
 GAUGE: 26 (.021"/0.54MM THICK)



Lightweight and recyclable

Ideal Roofing's **Galanta™** hidden fastener interlocking steel siding is designed to protect your home or business against harsh weather while enhancing curb appeal and adding to the value of your property.

Manufactured in panels covering 6 ¼ in. by 12 ft, they are packaged in boxes of 8 (50 sq. ft per box) and available in a shaded wood grain, regular wood grains and solid colors for vertical or horizontal installation. They blend in harmony with other exterior wall materials such as stone, brick, concrete or glass for a modern or traditional style.

With its concealed and perforated fastening strip, this hidden fastener siding is easy to install and notched at the ends to allow end-to-end overlapping. Our **Galanta™** steel siding is also embossed with an attractive wood grain pattern that makes the flat part of the panel more rigid and prevents oil canning.

Better than other cladding materials

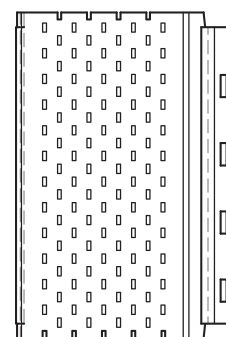
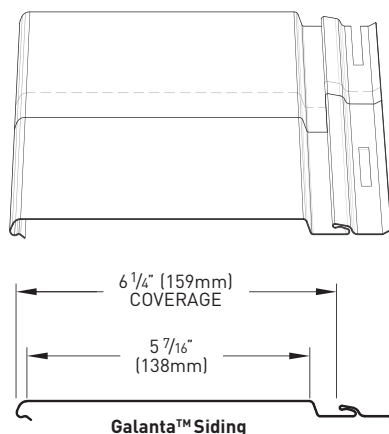
Unlike fiber cement and pressed wood siding, our **Galanta™** siding is as much as 50% more lightweight and easier to carry.

Unlike vinyl siding, **Galanta™** steel siding will not become brittle in cold weather and eventually break or crack.

Unlike wood siding, you will never have to stain or paint Ideal's **Galanta™** siding.

Unlike pressed wood and wood siding, Ideal's moisture-proof **Galanta™** steel siding will never rot. Unlike aluminum and vinyl siding, **Galanta™** siding's paint finish will not fade or chalk and comes with a 40-year transferable warranty.

Contrary to wood and pressed wood that are not recyclable and contribute to depleting our forests, **Galanta™** steel siding is made of steel, the world's most recyclable material.



Soffit Option:
 Ventilation to 6.5% of the area.
 59 in² / panel



JP Houser Choice LLC
 143 Airport Road, Unit 43
 East Stroudsburg, PA 18301

Tel.: 570-664-8558
 office@jphouserchoice.com
 www.USAMetalRoof.com



Environment-friendly.
 This product is entirely recyclable.

Printed in Canada / November 2020