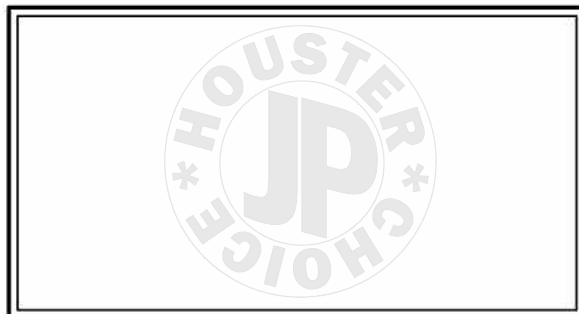


GALANTA™

STEEL SIDING
INSTALLATION MANUAL



ideal roofing
Company Limited, Manufacturers



Contents

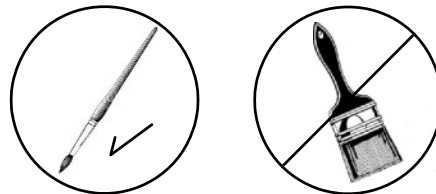
	Page
Safety tips, Touch Up Paint, Tools.....	2
Handling the Boxes, Storage, Important Notice.....	3
Preparation, Installation.....	4
Installation Details Overview.....	5
Galanta™ Siding & Soffit Information, Detail Over Wide Opening.....	6
Detail Over Opening, Top of Wall Detail (Vertical Siding).....	7
Top of Wall Detail (Horizontal Siding with Galanta™ Soffit), Top of Wall Detail (Horizontal Siding).....	8
Side Opening Detail (Horizontal Siding), Side Opening Detail (Vertical Siding).....	9
Outside and Inside Corner Detail.....	10
Detail on Masonry Cap and Base Flashing Detail.....	11
Gable Divider and Vertical Divider Detail.....	12
Flashings and Trims.....	13

Safety Tips

- *Working gloves.*
- *Proper eye protection.*
- *Hard hat.*
- *Steel toe boots.*
- *Knee pads.*
- *Avoid installing on a windy day.*
- *If working at heights, use proper fall protection and secure area below work space.*

Touch Up Paint

- *In the event of minor scratches, the installer should use a fine detail brush to cover only the scratch using minimum amount of paint. For multiple scratches or major paint damage, replace the affected panels immediately.*



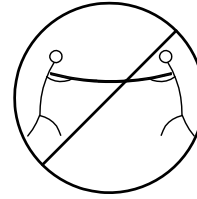
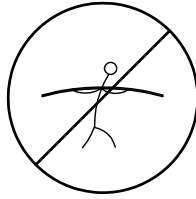
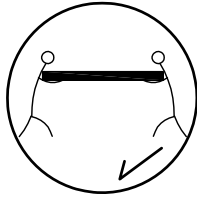
Note: *The shine of the touch up paint may have a slight difference from the original pre-painted steel.*

Tools

- *Electric screw gun with adjustable torque.*
- *Tin snips or nibblers.*
- *Measuring tape.*
- *Locking sheet metal pliers (“Vice Grip” type).*
- *Folding tool.*
- *Caulking gun.*
- *Guillotine (check with our office for availability).*
- *Chalkline.*
- *Level (laser).*
- *Wood chims.*
- *Screw bits.*

Handling the Boxes

- *Carry the boxes vertically on their edges to avoid any bending of the product.*



Storage

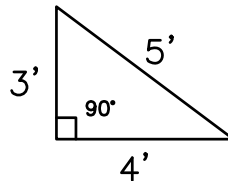
- *Storage time should be minimized by installing the **Galanta™** steel siding as soon as possible. If the siding must be stored for an extended period, the ideal storage place is under a roof in a cool, dry and well-ventilated area.*
- *When outdoor storage is unavoidable, the following is recommended:*
 - 1- *Use good quality covers over stacks.*
 - 2- *Block bundles off the ground.*
 - 3- *Store away from chemically aggressive substances (e.g. salt, cement, fertilizer, diesel, oil, paint, and grease).*

Important Notice

- *When ordering the **Galanta™** steel siding, it is always preferable to order all boxes of the same color at the same time to avoid slight color differences between batches.*
- *The material should be checked against the shipping list as soon as it is received. Any damage or shortage of material on the bill of lading should be noted and reported to the driver or to our offices immediately. Any material installed is considered accepted by the customer.*
- *Do not use pressure treated lumber in direct contact with the **Galanta™** steel siding.*
- ***Ideal Roofing will deliver the steel siding to its dealers only. No job site delivery will be done by Ideal Roofing.***

Preparation

- This installation manual is a general guideline for common applications. Ensure application is completed in accordance with local building codes.
- Prior to installing, inspect the walls and make sure that the surfaces are perfectly straight in both directions.
- Make sure the base and corners are perfectly straight by using the 3, 4 & 5 method to ensure 90 degree angles.

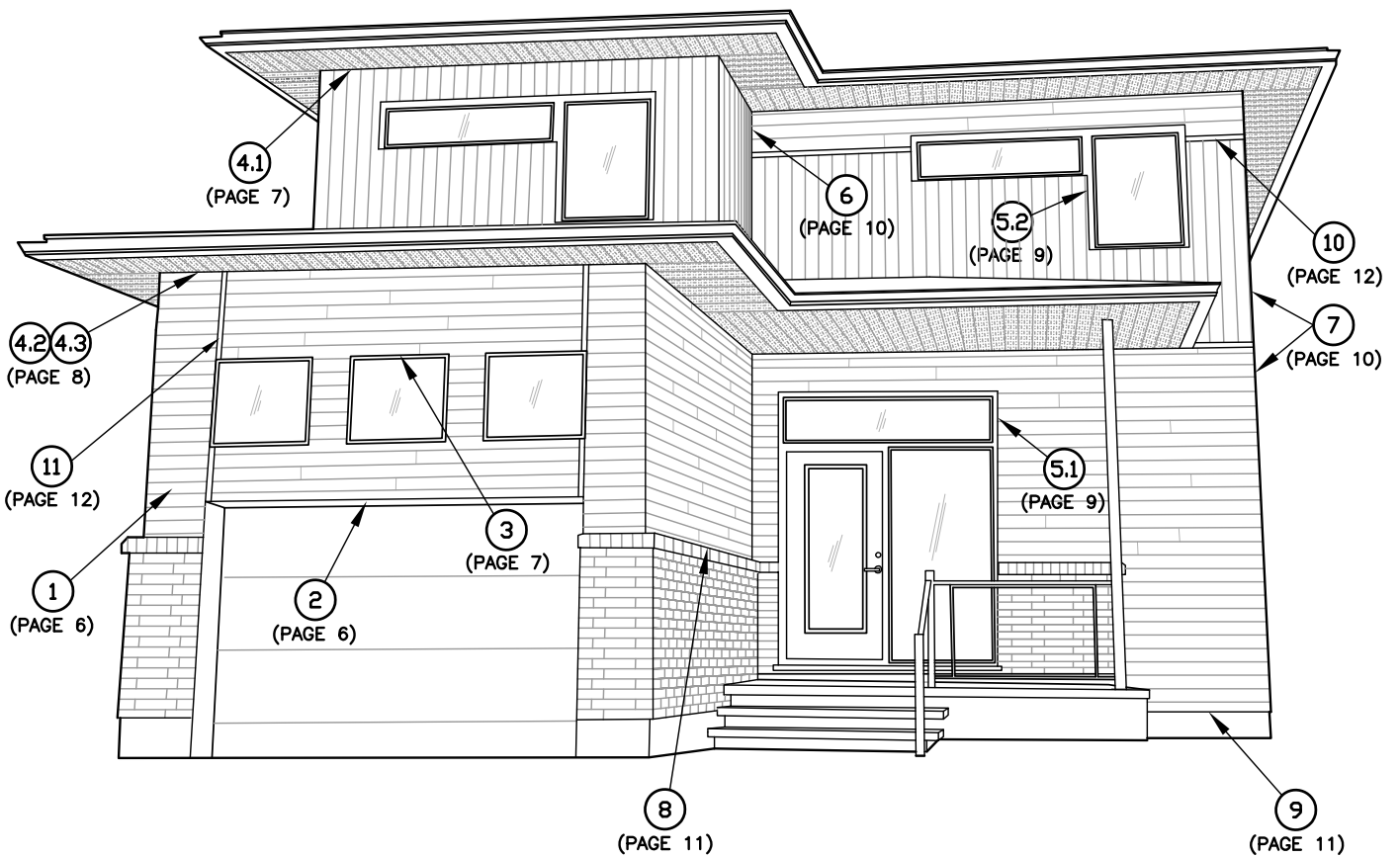


- Use 1" x 3" (minimum) wood or metal strapping at 16in O.C. spacing. **The strapping should be installed in a pattern that allows air circulation behind the siding.**

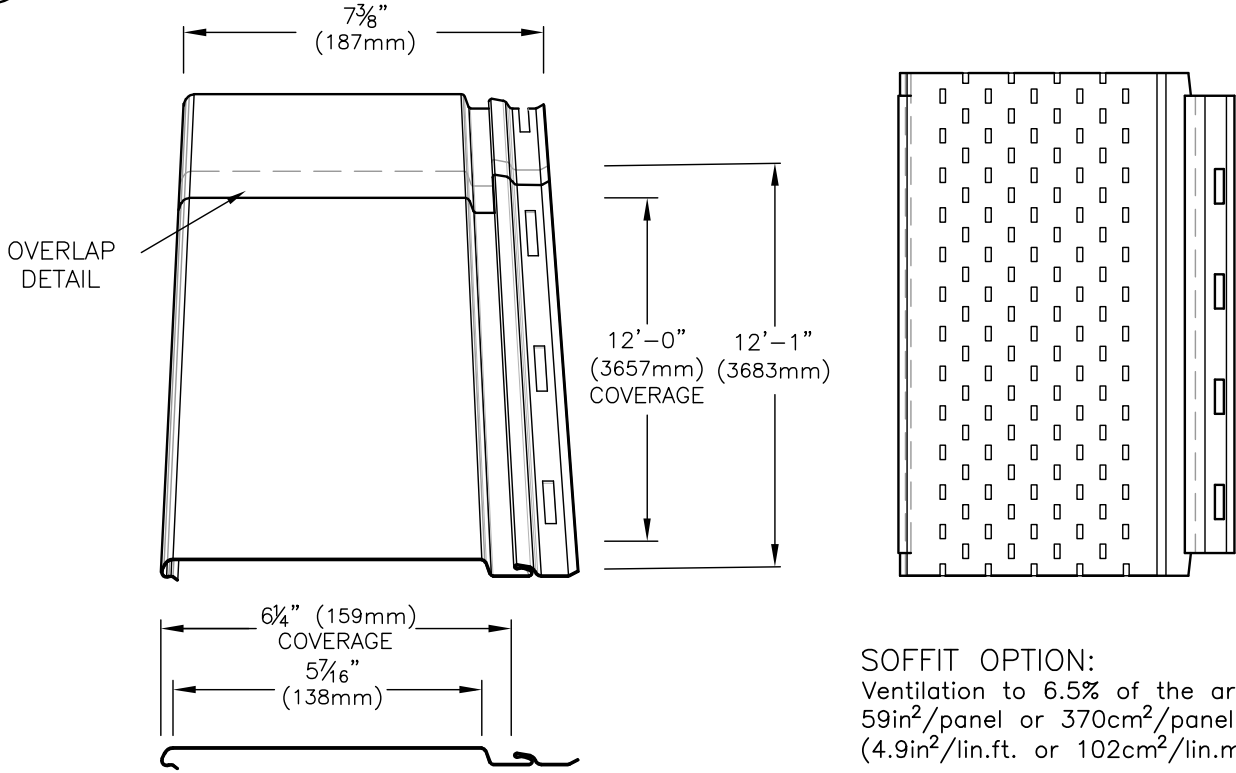
Installation

- Before installing the **Galanta™** steel siding, all flashings must be installed in place.
- Ideal Roofing recommends (for aesthetic reasons only) to stagger the start of the panels by a minimum of 24" to avoid seams in alignment.
- When fastening the siding, center the fasteners in the middle of the openings and apply moderate pressure (**do not over torque**) to allow expansion and contraction of the panels. Make sure that the fasteners are at a 90 degree angle.
- In order to avoid metal siding deviations, use a laser level and a chalk line to establish horizontal (or vertical) reference lines at every 4th panel.
- In case of a minor gap between the siding and the strapping, use a wood or metal shim before fastening.
- Ensure a piece of wood or metal support where two siding panels overlap.
- Once the **Galanta™** panel is installed, remove the protective film.

INSTALLATION DETAILS OVERVIEW

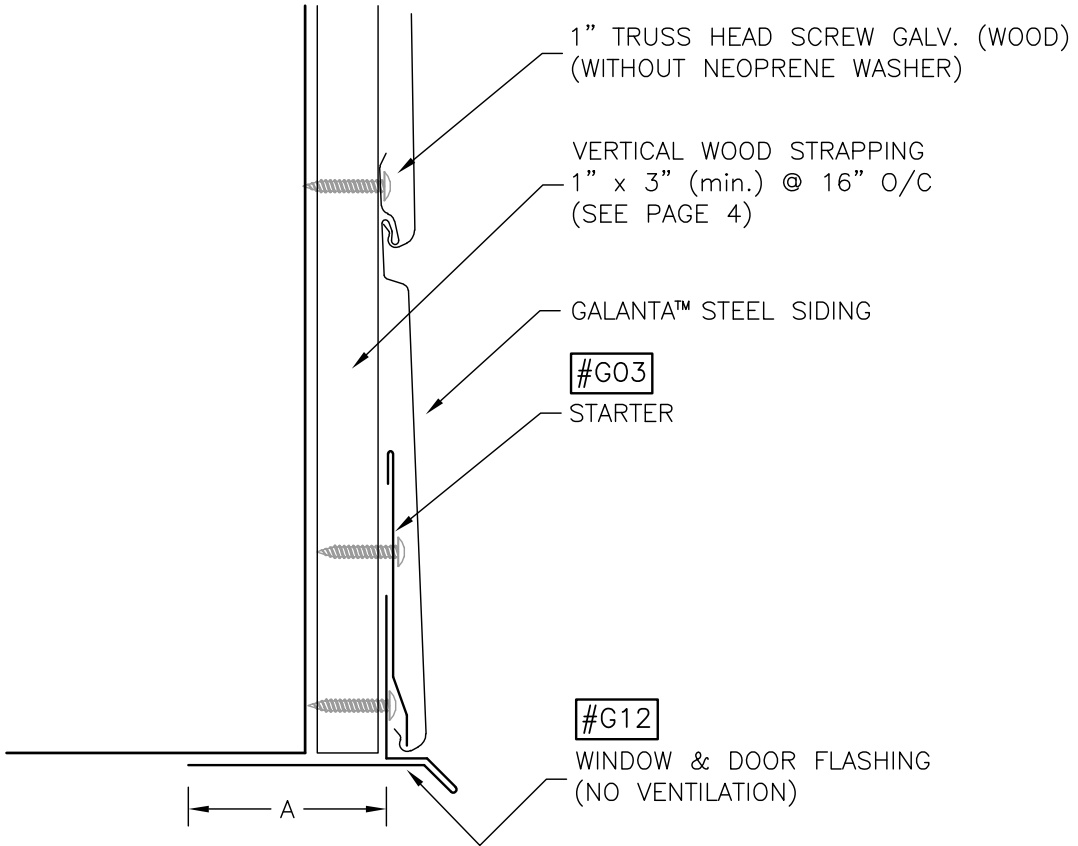


1 GALANTA™ SIDING & SOFFIT INFORMATION

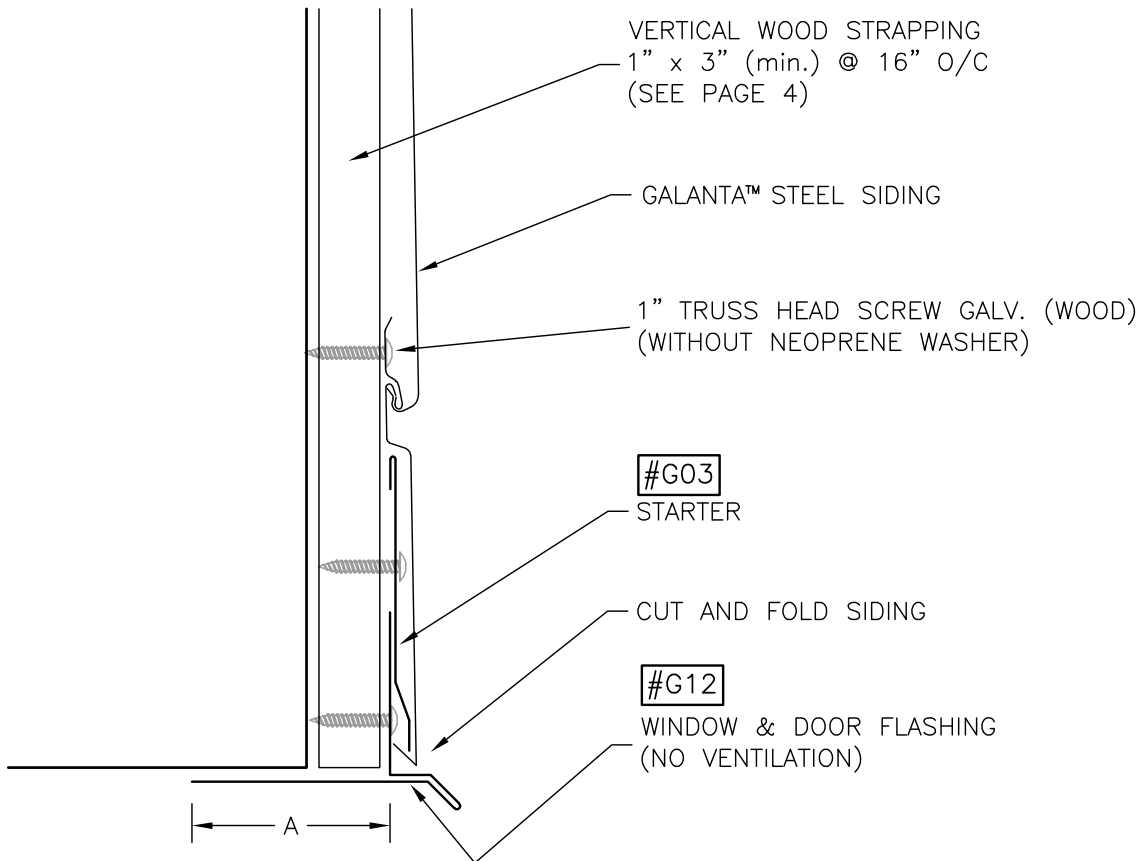


SOFFIT OPTION:
 Ventilation to 6.5% of the area.
 59in²/panel or 370cm²/panel
 (4.9in²/lin.ft. or 102cm²/lin.m)

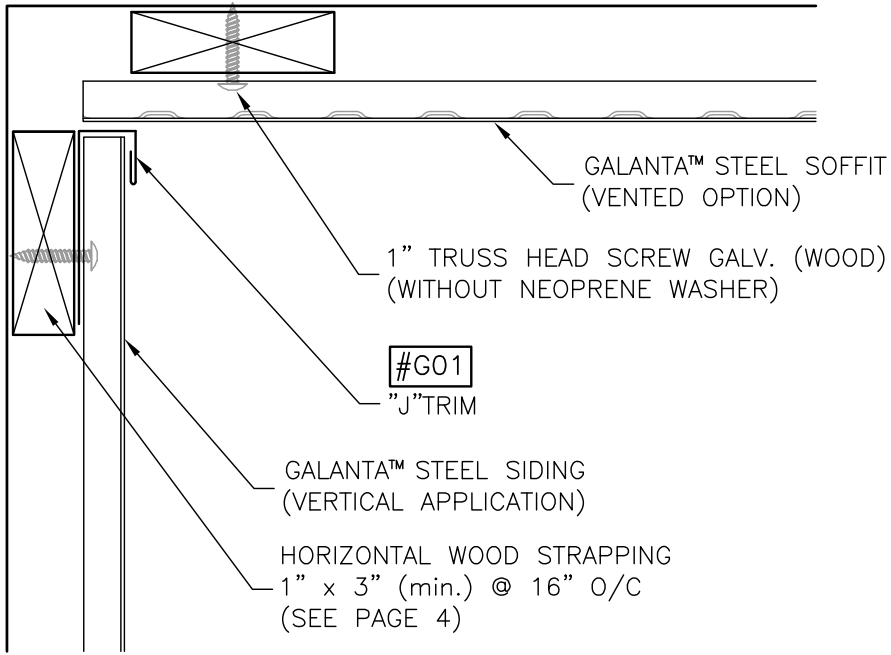
2 DETAIL OVER WIDE OPENING



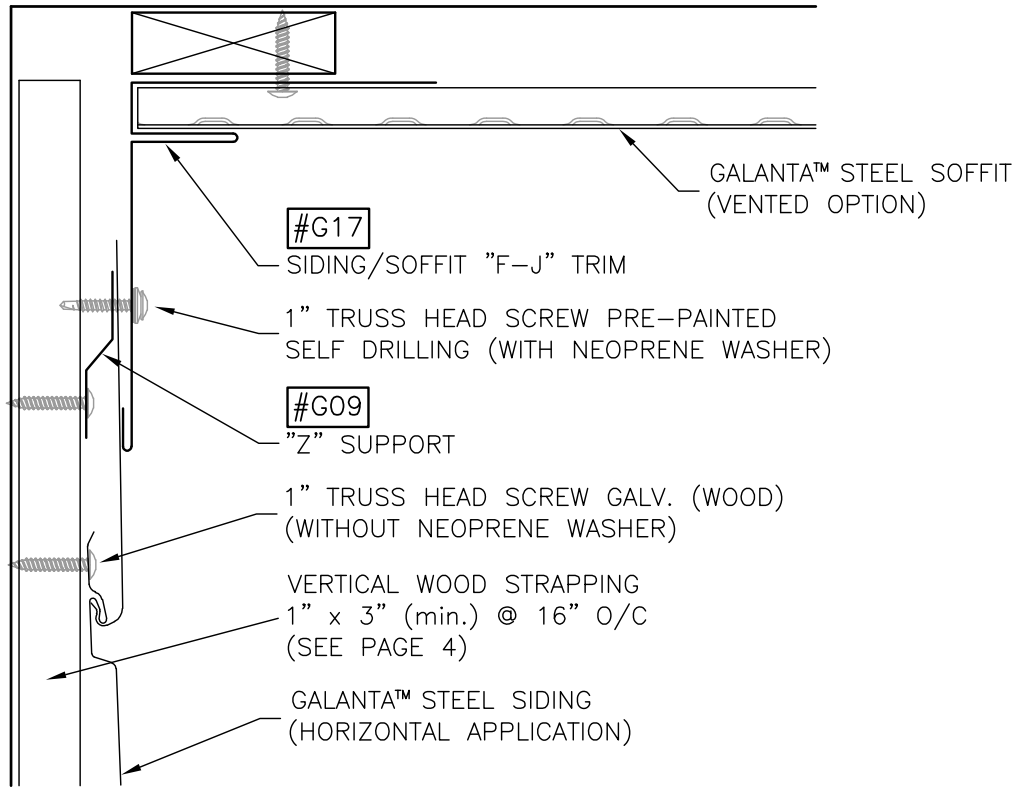
3 DETAIL OVER OPENING



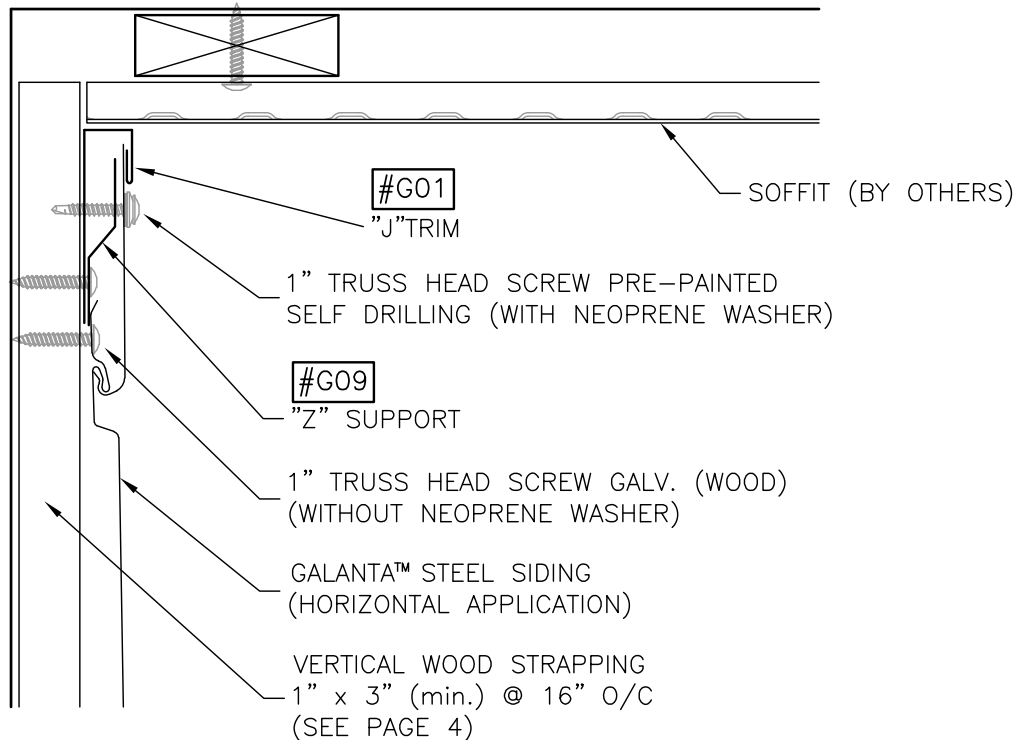
4.1 TOP OF WALL DETAIL (VERTICAL SIDING)



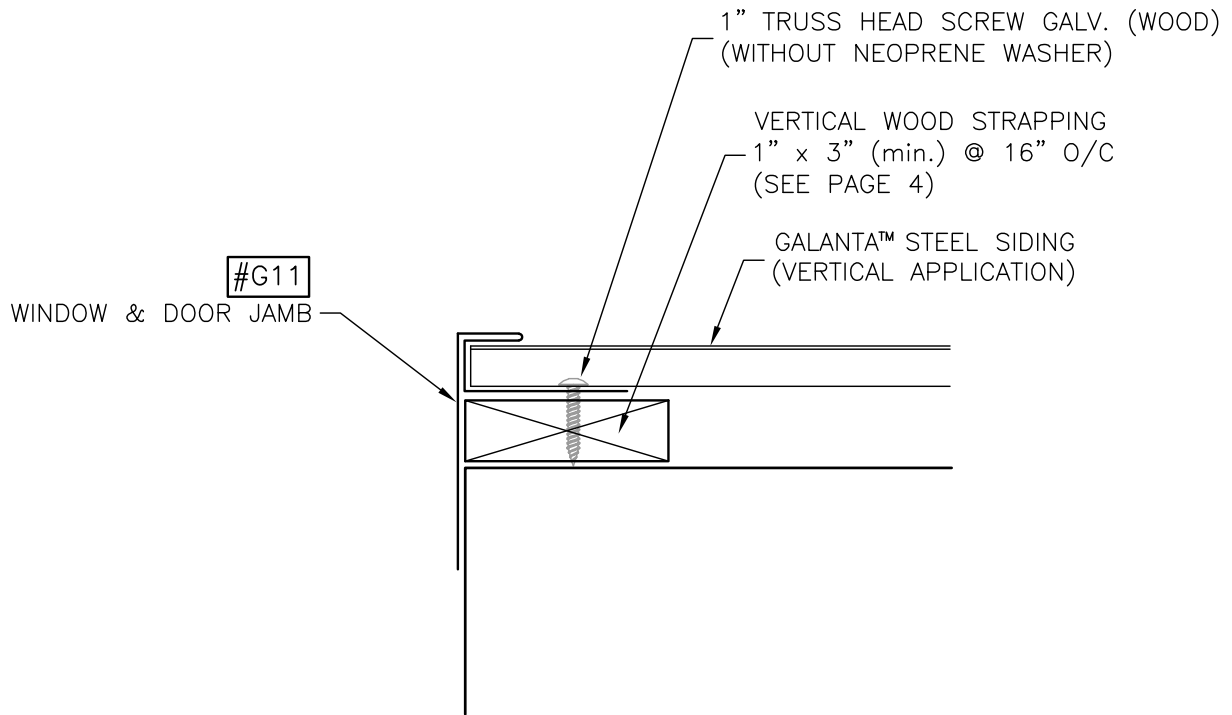
4.2 TOP OF WALL DETAIL
(HORIZONTAL SIDING WITH GALANTA™ SOFFIT)



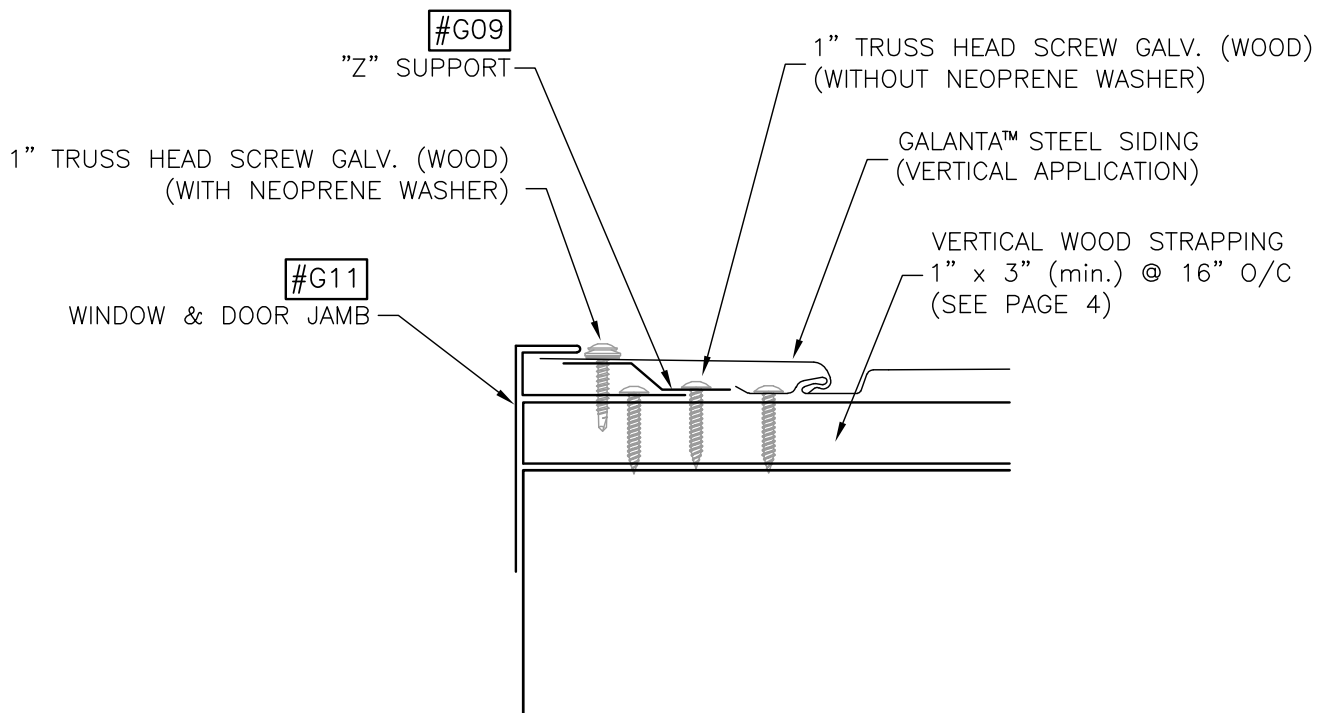
4.3 TOP OF WALL DETAIL (HORIZONTAL SIDING)



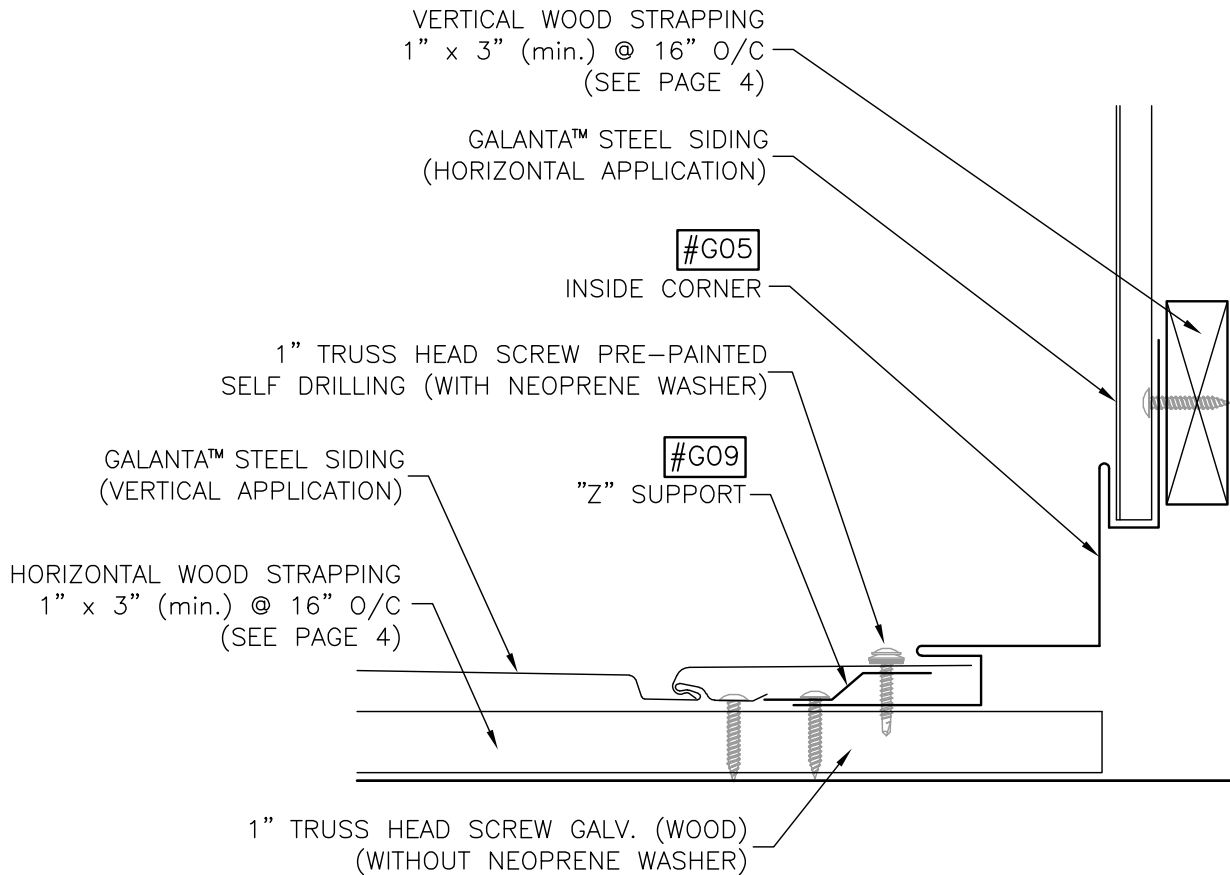
5.1 SIDE OPENING DETAIL
(HORIZONTAL SIDING APPLICATION)



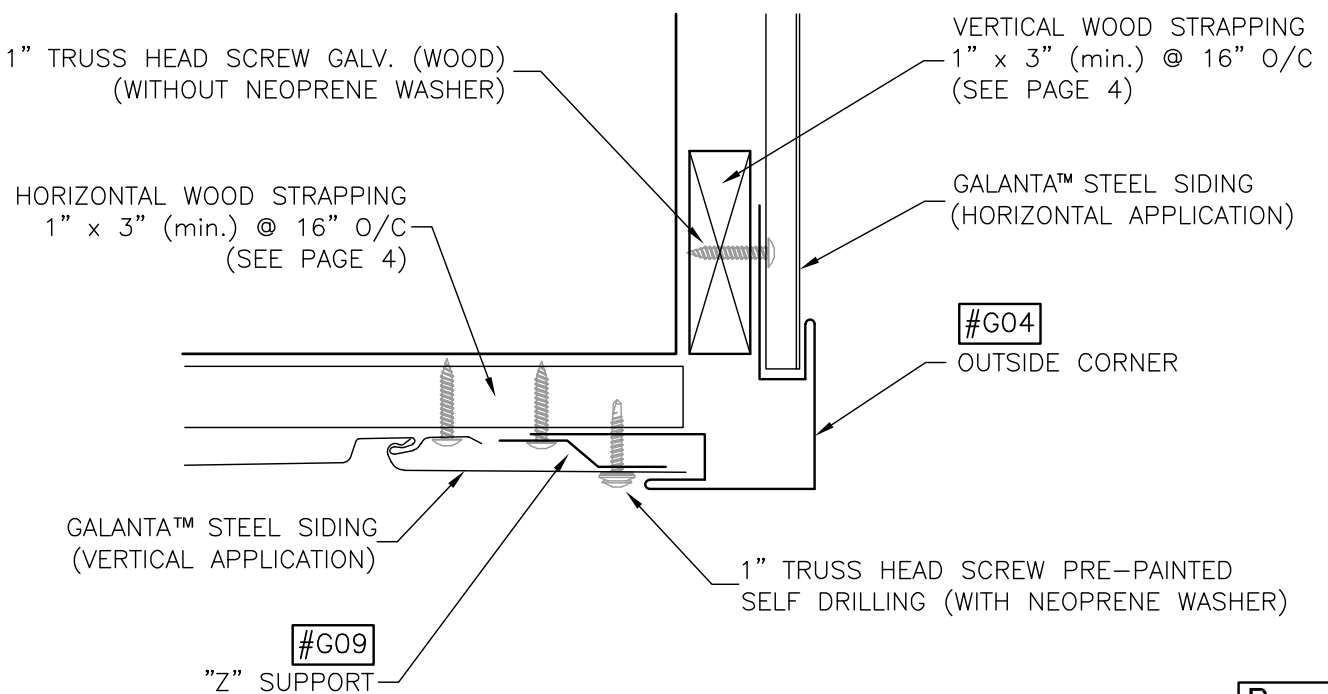
5.2 SIDE OPENING DETAIL
(VERTICAL SIDING APPLICATION)



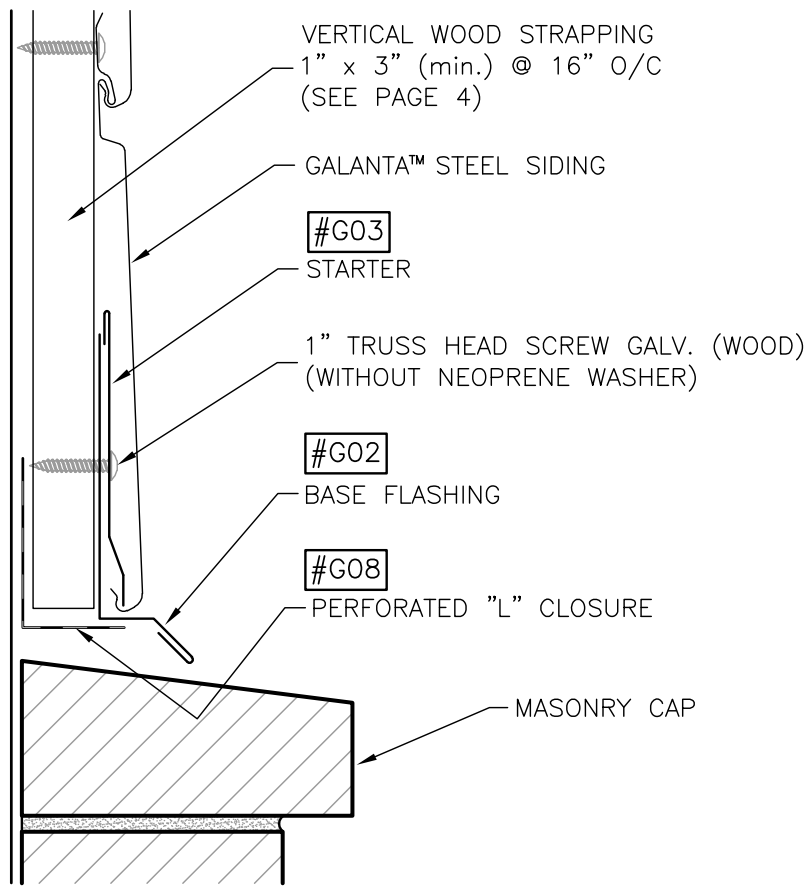
6 INSIDE CORNER — DETAIL
(HORIZONTAL AND VERTICAL SIDING APPLICATION)



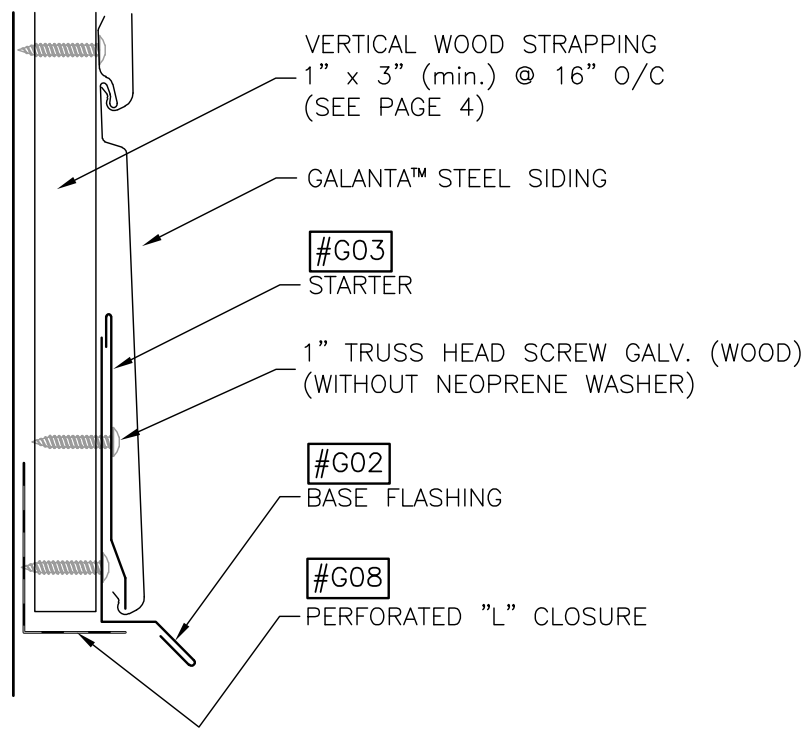
7 OUTSIDE CORNER — DETAIL
(HORIZONTAL AND VERTICAL SIDING APPLICATION)



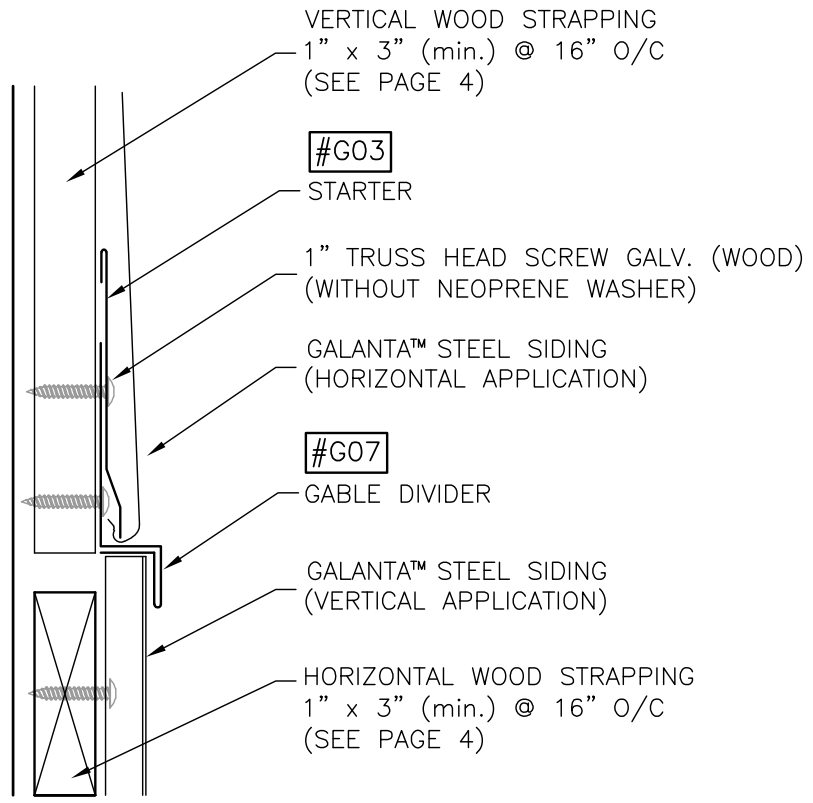
8 DETAIL ON MASONRY CAP



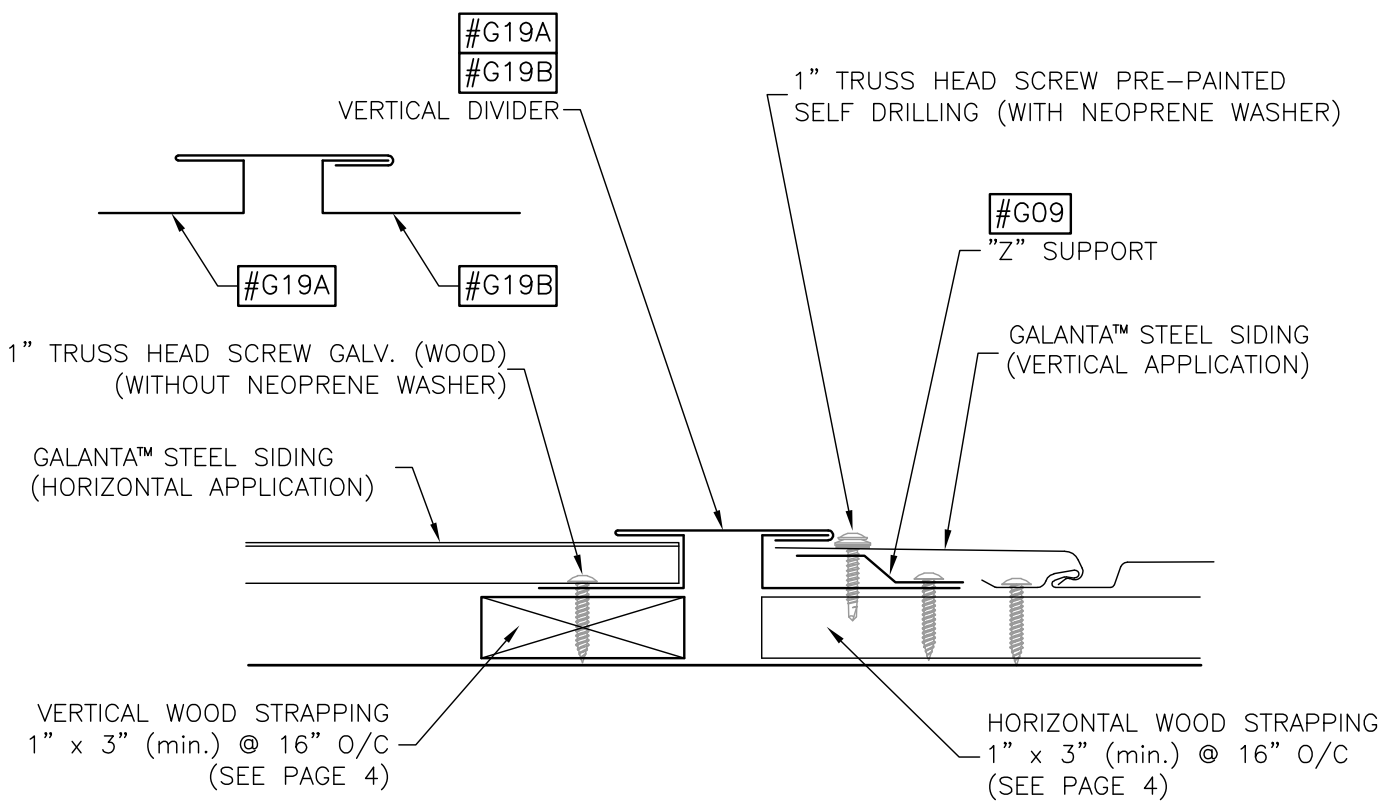
9 BASE DETAIL



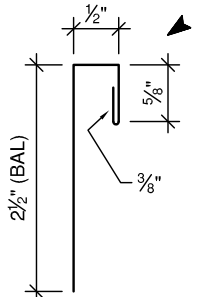
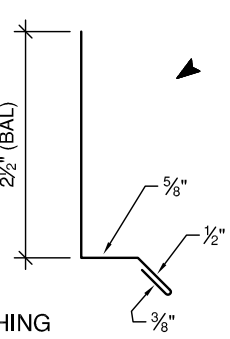
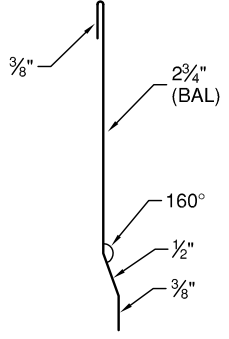
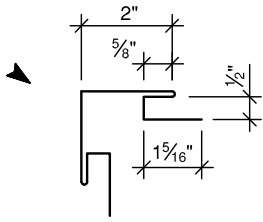
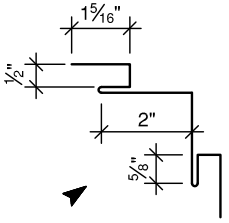
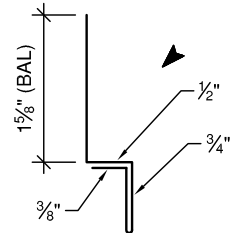
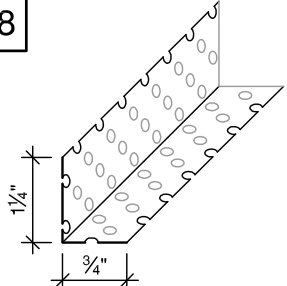
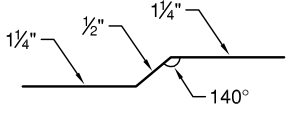
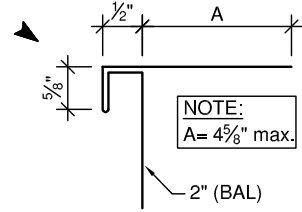
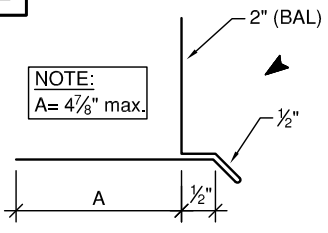
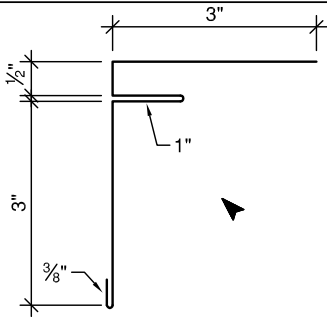
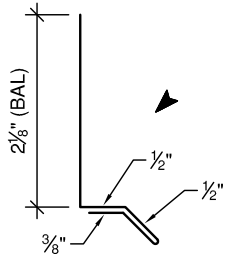
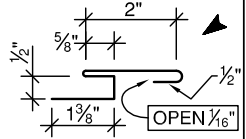

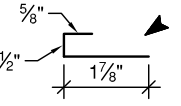

10 GABLE DIVIDER DETAIL



11 VERTICAL DIVIDER DETAIL
(HORIZONTAL AND VERTICAL SIDING APPLICATION)



FLASHINGS AND TRIMS FOR THE GALANTA™ SIDING

<p>#G01</p>  <p>"J" TRIM (4" GIRTH, 26g)</p>	<p>#G02</p>  <p>BASE FLASHING (4" GIRTH, 26g)</p>	<p>#G03</p>  <p>STARTER (4" GIRTH, 26g, GALVANIZED)</p>
<p>#G04</p>  <p>OUTSIDE CORNER (8 7/8" GIRTH, 26g)</p>	<p>#G05</p>  <p>INSIDE CORNER (8 7/8" GIRTH, 26g)</p>	<p>#G07</p>  <p>GABLE DIVIDER (4" GIRTH, 26g)</p>
<p>#G08</p>  <p>PERFORATED "L" CLOSURE (4" GIRTH) (TRIM TO 2")</p>	<p>#G09</p>  <p>"Z" SUPPORT (4" GIRTH, 26g, GALVANIZED) (TRIM TO 3")</p>	<p>#G11</p>  <p>WINDOW & DOOR JAMB (4 1/4" + A = GIRTH (8 7/8" max.), 26g)</p>
<p>#G12</p>  <p>WINDOW & DOOR FLASHING (4" + A = GIRTH (8 7/8" max.), 26g)</p>	<p>#G17</p>  <p>SIDING / SOFFIT "F-J" TRIM (8 7/8" GIRTH, 26g)</p>	<p>#G18</p>  <p>WINDOW & DOOR FLASHING (4" GIRTH, 26g)</p>
<p>#G19A</p>  <p>VERTICAL DIVIDER (Part "A") (5" GIRTH, 26g)</p>	 <p>1" TRUSS HEAD SCREW GALVANIZED (WOOD #8) (WITHOUT NEOPRENE WASHER)</p> <p>1" TRUSS HEAD SCREW PRE-PAINTED (METAL #8-18) (WITH NEOPRENE WASHER)</p>	
<p>#G19B</p>  <p>VERTICAL DIVIDER (Part "B") (4" GIRTH, 26g) (TRIM TO 3")</p>	 <p>3/4" TRUSS HEAD SCREW GALVANIZED (METAL #8-18) (WITHOUT NEOPRENE WASHER)</p>	
<p>VERTICAL DIVIDER (Parts "A" & "B" assembled)</p> 