

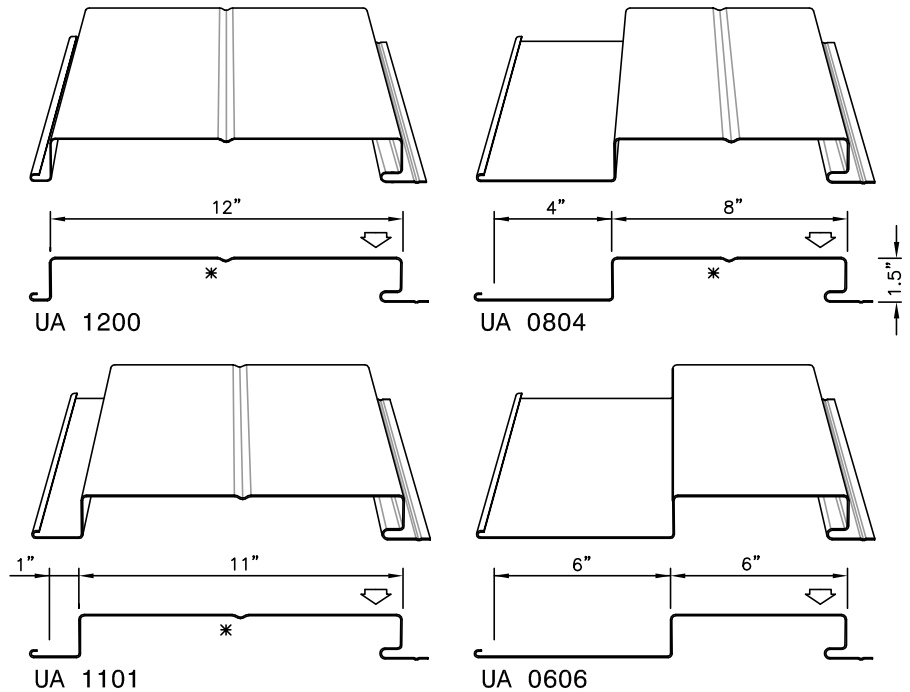


Designed for vertical siding, horizontal siding, fascia and soffit (solid or vented) applications, with its **concealed fastener** system, Ideal's Urban Accent Series create a **flat or dimensional appearance**.

For easier installation, the interlocking leg features a **fastening groove** and a **weather tight overlap**. (see diagram)

With state of the art Tension Leveller to reduce "oil canning", Ideal Roofing also recommends the use of the attractive inverted stiffener rib. The Urban Accent Series is easy to trim, is roll formed into lengths up to 40 feet (12.2m), covers 12 inches (305mm) and is fabricated with .032" (0.81mm) thick (22 gauge), Perspectra PLUS™ Series / Weather XL™ galvanized pre-painted steel with a 40 year limited warranty.

Often used in conjunction with other Ideal Roofing steel siding panels or other cladding materials on commercial building, the Urban Accent Series can be installed over a variety of substructures such a light gauge framing, purlins or girders, structural steel or over solid backing. **For UA 1101, UA 0804 and UA 0606 use flat head screws supplied by Ideal Roofing.**

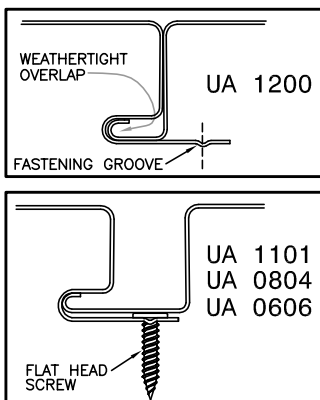


\* Stiffener rib can be removed

## AVAILABLE MATERIALS

Pre-painted Galvanized Steel  
(Perspectra PLUS™ Series / Weather XL™)  
- ASTM-A653 SS grade 33 architectural panel  
gauge: 22 (.032"/0.81mm thick)  
(other gauges and paint systems available)

NOTE: "Oil Canning" is not a cause for rejection.



SECTION PROPERTIES (PER FOOT OF WIDTH)									
Base Steel Thickness (in.)	Weight (G90) (psf)	Yield Stress (ksi)	Sec. Modulus		Deflection Moment of Inertia (in <sup>4</sup> )	Specified Web Crippling Data			
			Midspan	Support		P <sub>e1</sub> End (lb)	P <sub>e2</sub> End (lb)	P <sub>i1</sub> Interior (lb)	P <sub>i2</sub> Interior (lb)
0.030	1.87	33	0.0921	0.126	0.0809	201	50.3	387	65.7
0.036	2.23	33	0.123	0.150	0.106	296	74.1	569	96.6
0.048	2.96	33	0.176	0.199	0.162	544	136	1040	177

MAXIMUM UNIFORMLY DISTRIBUTED SPECIFIED LOAD (PSF)										
SPAN LENGTH (ft)	1-SPAN			2-SPAN			3-SPAN			
	BASE STEEL THICKNESS (in.)			BASE STEEL THICKNESS (in.)			BASE STEEL THICKNESS (in.)			
	0.030	0.036	0.048	0.030	0.036	0.048	0.030	0.036	0.048	
3.0	S	145	193	277	162*	227*	313	184*	258*	391
	D	348	457	698	836	1097	1676	658	864	1320
3.5	S	106	142	203	139*	173	230	158*	217	287
	D	219	288	440	527	691	1055	415	544	831
4.0	S	81	109	156	111	133	176	127	166	220
	D	147	193	295	353	463	707	278	364	557
4.5	S	64	86	123	88	105	139	101	131	174
	D	103	135	207	248	325	497	195	256	391
5.0	S	52	70	100	71	85	113	81	106	141
	D	75	99	151	181	237	362	142	187	285
5.5	S	43	57	82	59	70	93	67	88	116
	D	57	74	113	136	178	272	107	140	214
6.0	S	36	48	69	49	59	78	57	74	98
	D	44	57	87	105	137	210	82	108	165
6.5	S	31	41	59	42	50	67	48	63	83
	D	34	45	69	82	108	165	65	85	130
7.0	S	27	35	51	36	43	57	42	54	72
	D	27	36	55	66	86	132	52	68	104
7.5	S	23	31	44	32	38	50	36	47	63
	D	22	29	45	54	70	107	42	55	84
8.0	S	20	27	39	28	33	44	32	41	55
	D	18	24	37	44	58	88	35	46	70

Notes: 1 Based on ASTM A 653 Grade 33 structural steel.  
2 Values in row "S" are based on strength.  
3 Values in row "D" are based on deflection of 1/180th span.  
\* Controlled by web crippling based on 1.5 in. bearing length.  
Limit States Design principles were used in accordance with CSA Standard S136-12

USA Metal Roof LLC

Tel.201-293-9690, Fax 800-716-7639

E-mail: office@usametalroof.com

www.USAMetalRoof.com

This load table is strictly for the UA 1200.  
For UA 1101, UA 0804 and UA 0606 load tables, consult our web site.